

# EUROGOMMA

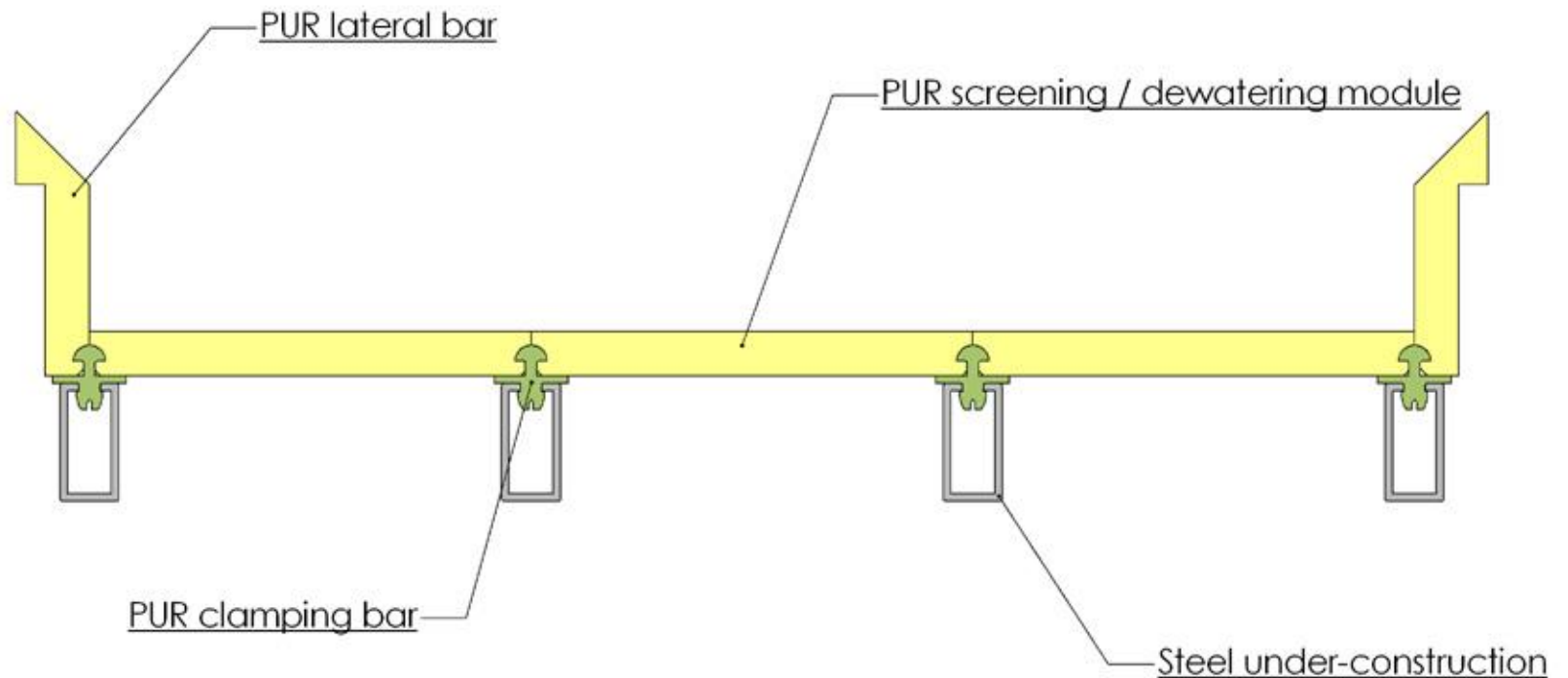
**EURO-FG** is a screen system based on polyurethane modular panels, clamping bars and supporting steel under-construction.

The clamping bars get fastened into the steel under-construction and are fastened together with the polyurethane screening or dewatering panels to create the screen deck.

Thanks to the modular concept every standard deck can be equipped with **EURO-FG** screen system.

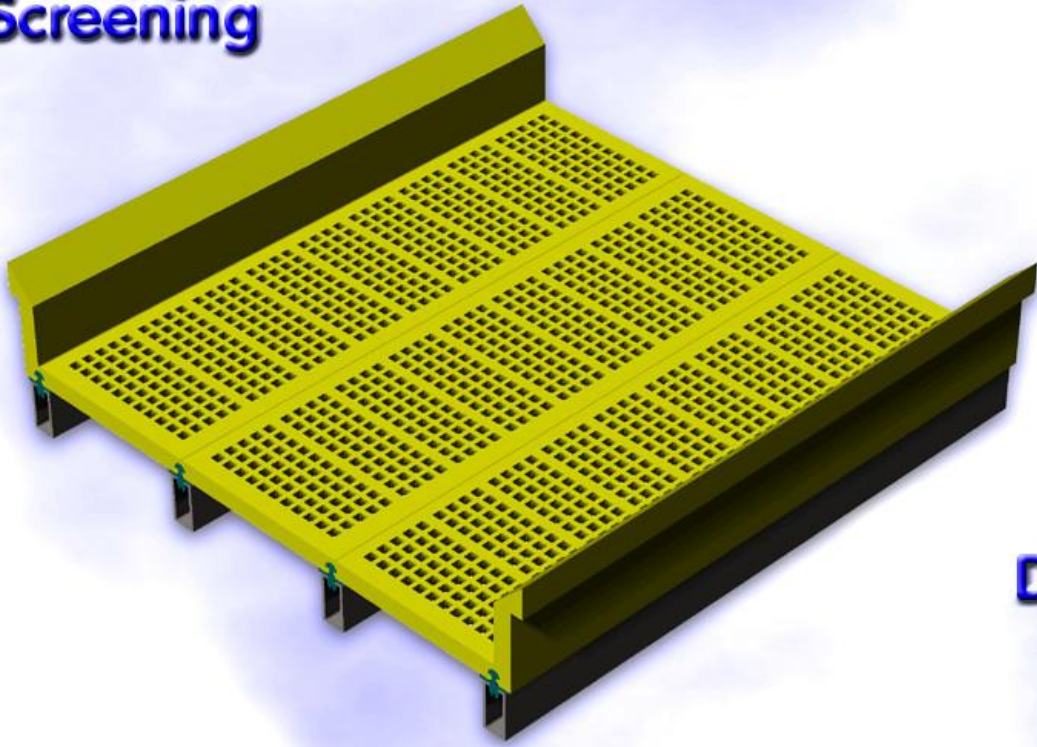
## **EURO-FG** Polyurethane modular screens

### System description

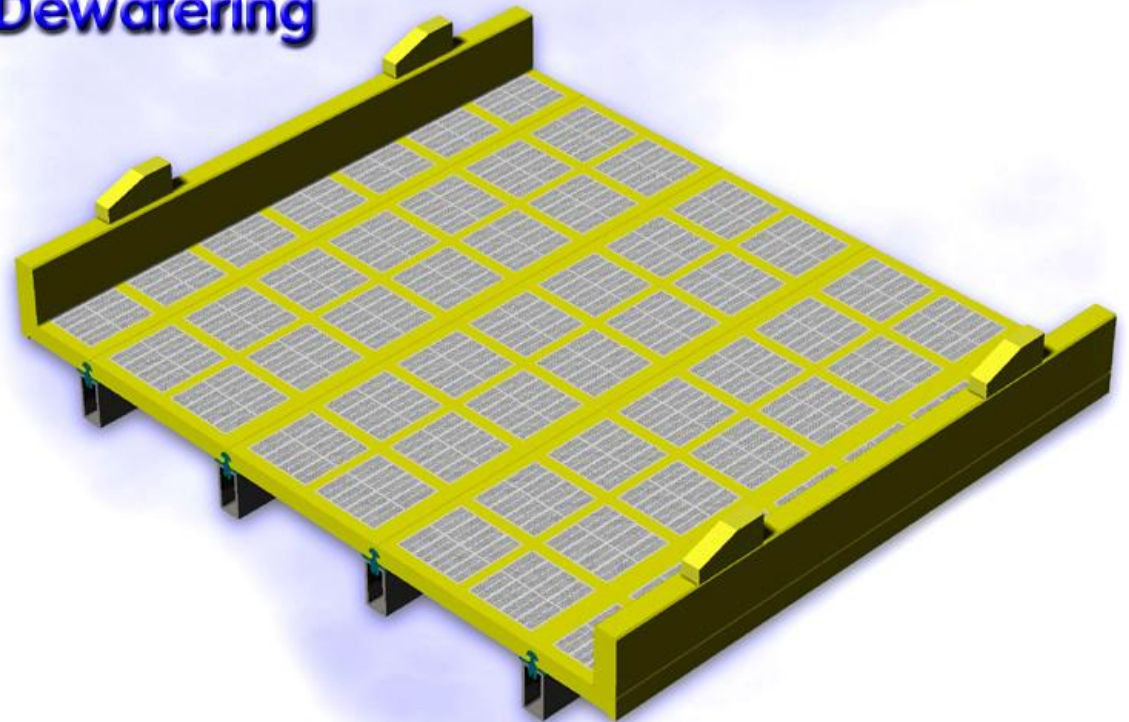


Application

**Screening**

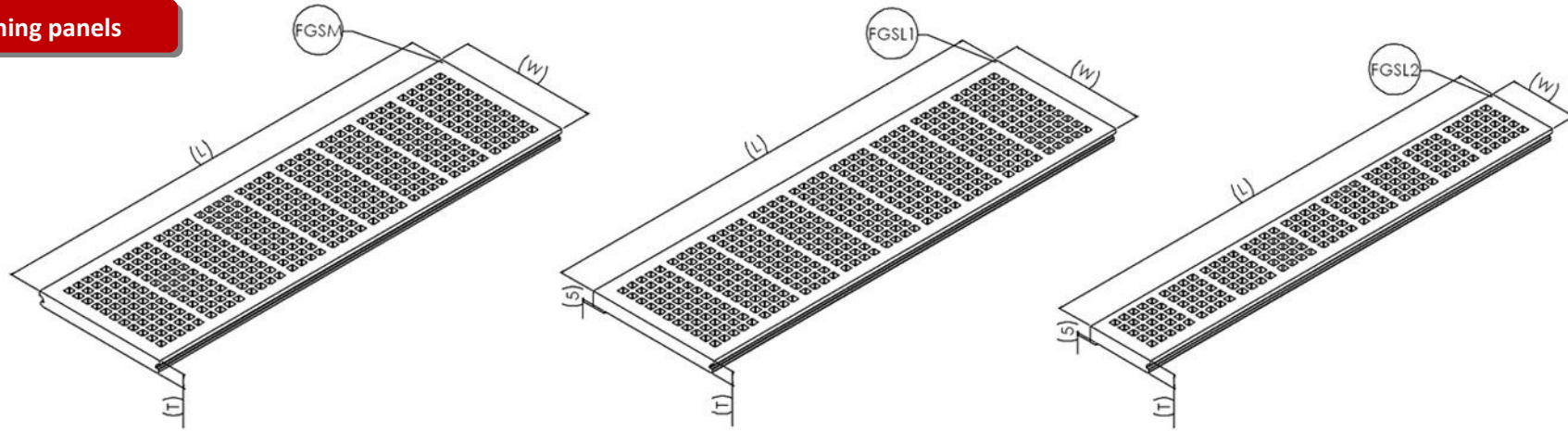


**Dewatering**

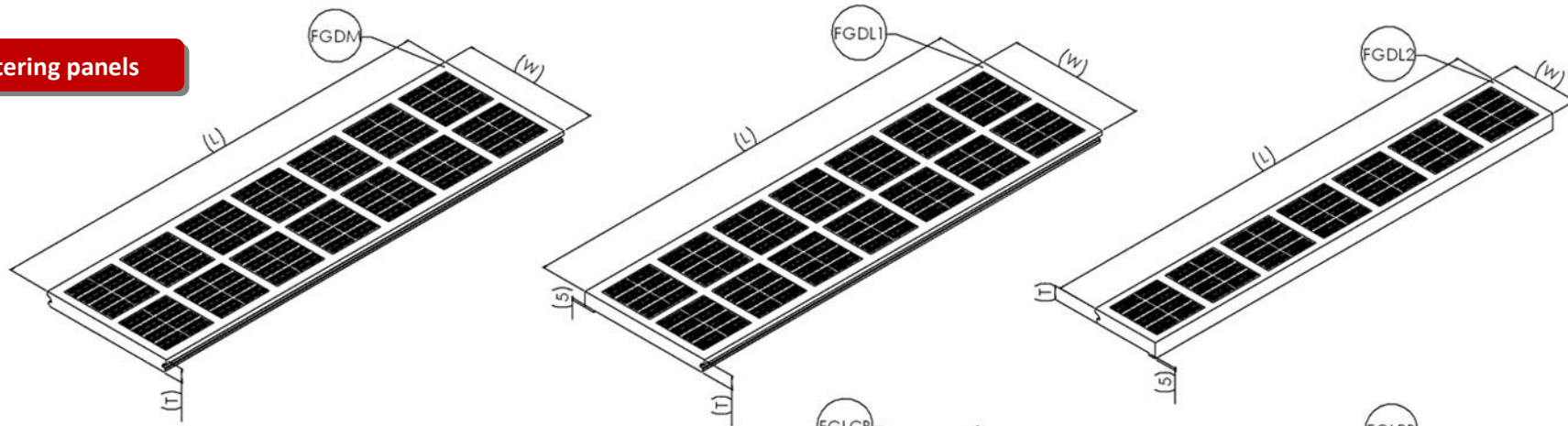


## Available items

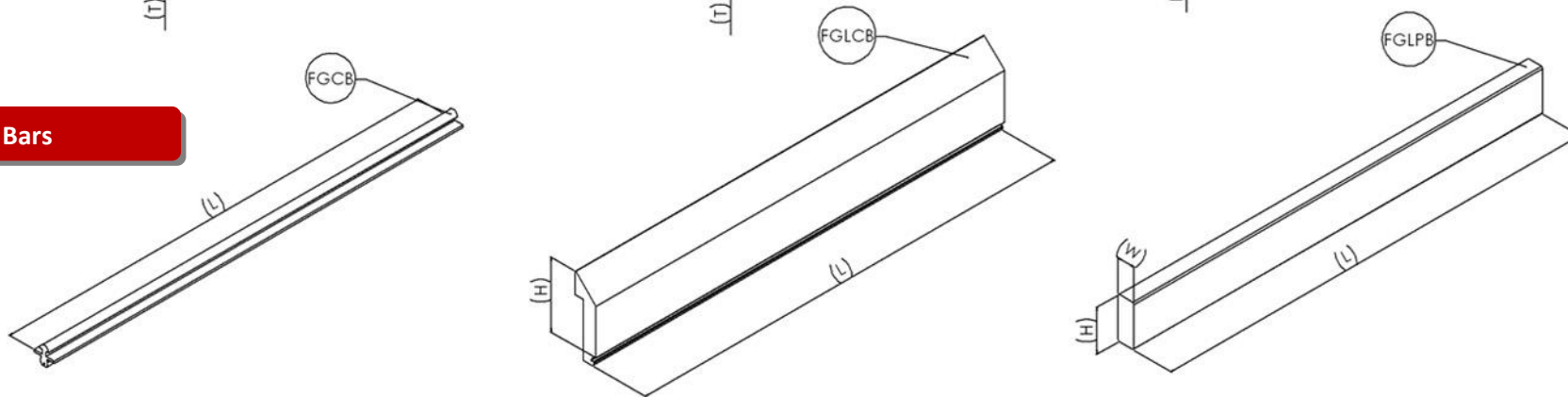
### Screening panels



### Dewatering panels



### Bars



P/N	Description	L		W		T			Openings	H		
FGSM	PUR central screening panel	500	1000	300		30	40	50	4 > 50 mm	-		
FGSL1	PUR lateral screening panel – wide	500	1000	300		30	40	50	4 > 50 mm	-		
FGSL2	PUR lateral screening panel – narrow	500	1000	150	200	30	40	50	4 > 50 mm	-		
FGDM	PUR central dewatering panel	500	1000	300		30	40	50	0,1 > 3,0 x 11mm	-		
FGDM1	PUR lateral dewatering panel – wide	500	1000	300		30	40	50	0,1 > 3,0 x 11mm	-		
FGDM2	PUR lateral dewatering panel – narrow	500	1000	150	200	30	40	50	0,1 > 3,0 x 11mm	-		
FGCB	PUR clamping bar	500	1000	-		-			-	-		
FGLCB	PUR lateral protection bar with clamping	500	1000	-		-			-	100	150	200
FGLPB	PUR lateral protection bar	500	1000	30	40	50	-			100	150	200
		mm		mm		mm			mm	mm		