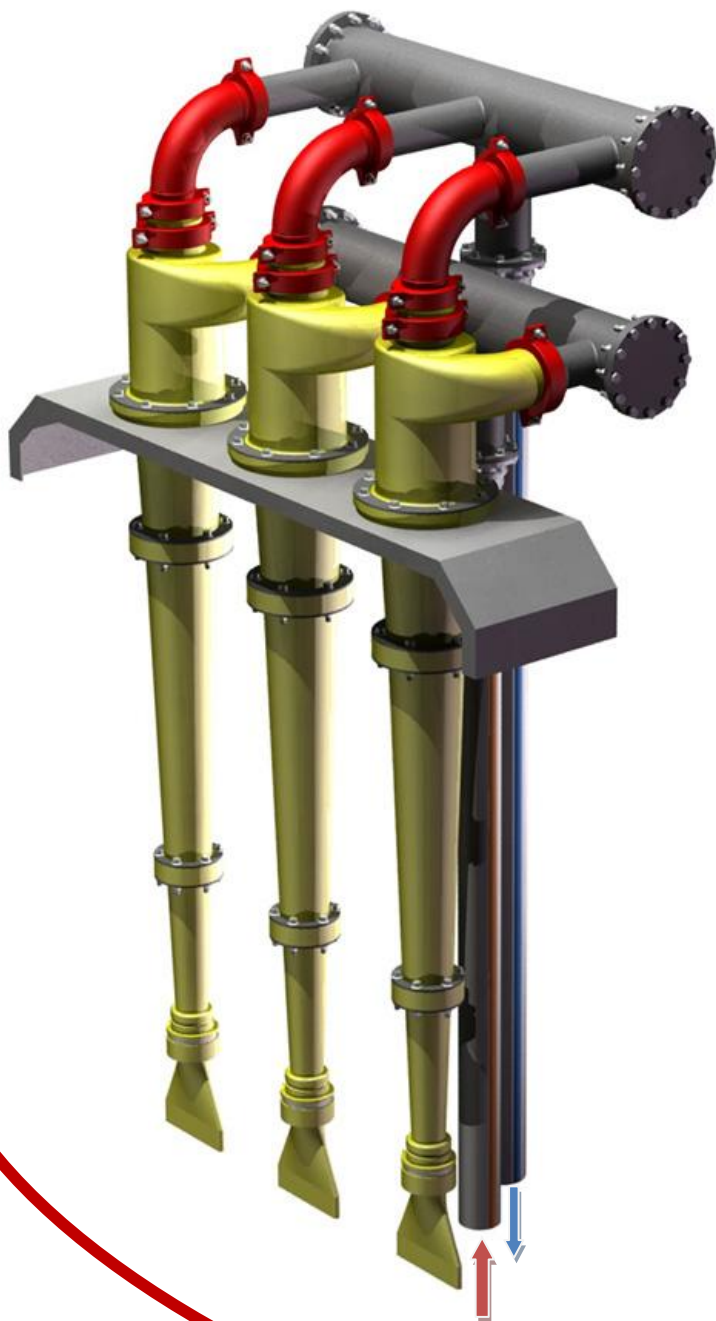


EUROGOMMA

EuroCyc50 Polyurethane Cyclones



EuroCyc50 is the modular polyurethane cyclone system for desanding installations.

Thanks to the modular design **EuroCyc50** can be installed in every application.

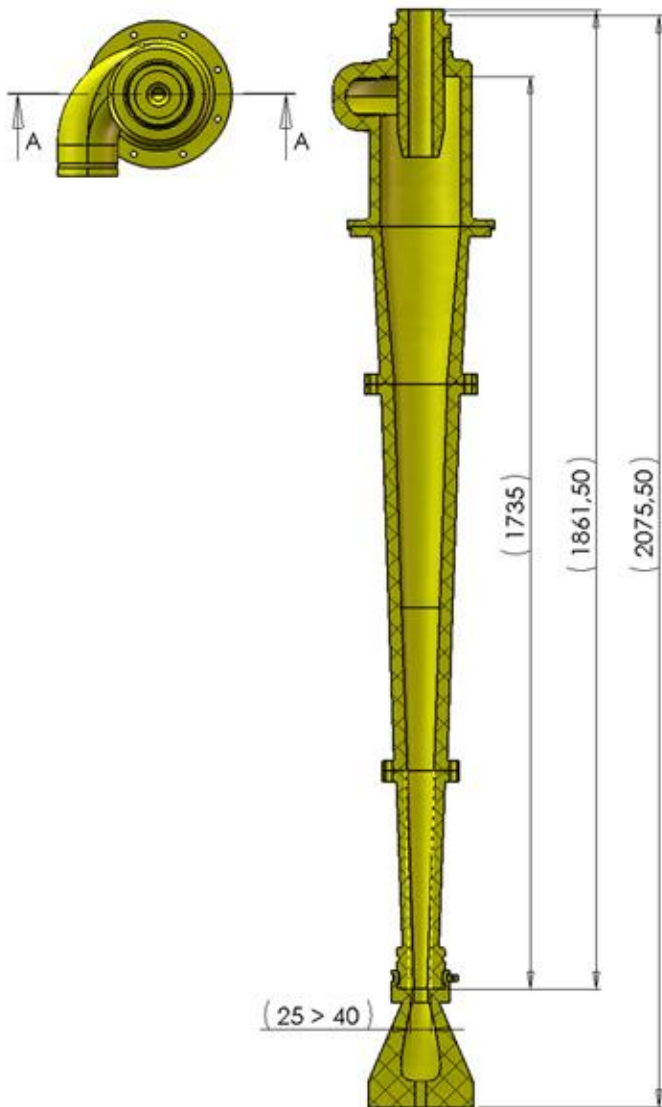
Every Cyclone gives an average production of 45 m³/h of slurry with feed pressure of 1 bar and cut point of 35 > 40 microns.

EuroCyc50 cyclones can be installed in series to give the required capacity.

Thanks to the light weight of every cyclone (23 Kg ca.) , series till to 10 or 15 pieces are permitted without requiring special reinforced structures.

EuroCyc50 offers several advantages both to machine manufactures and final users:

- Cost reduction due to the erase of the cyclone steel structure
- No corrosion of the cyclone steel structure
- No internal wear protection lining
- Fast and easy replacement of every cyclone section
- Easy maintenance thanks to the light weight of every section
- Modular coupling of all sections

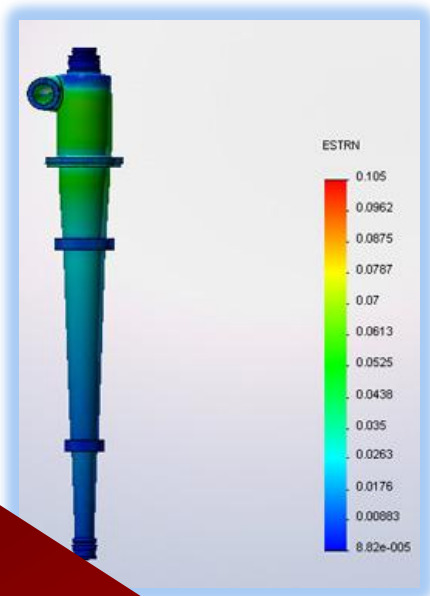


EuroCyc50 is a polyurethane cyclone having standard dimensions.

The cyclone can terminate with apex cone or with “duck mouth” section to increase the dewatering power of **EuroCyc50**

The exit aperture is given on demand in a range raising from 25mm to 40mm

Every section is replaceable and client has Supplier’s assurance that every new section will perfectly fit the installed **EuroCyc50** cyclone



Despite it is advisable to feed **EuroCyc50** cyclones with slurry pressure of 1 bar the cyclone structure is designed to easily bear 3 bars and more.

Our Engineers are at client disposition to calculate the mechanical resistance of **EuroCyc50** on case by case basis.