

EURO-FG Polyurethane modular screens



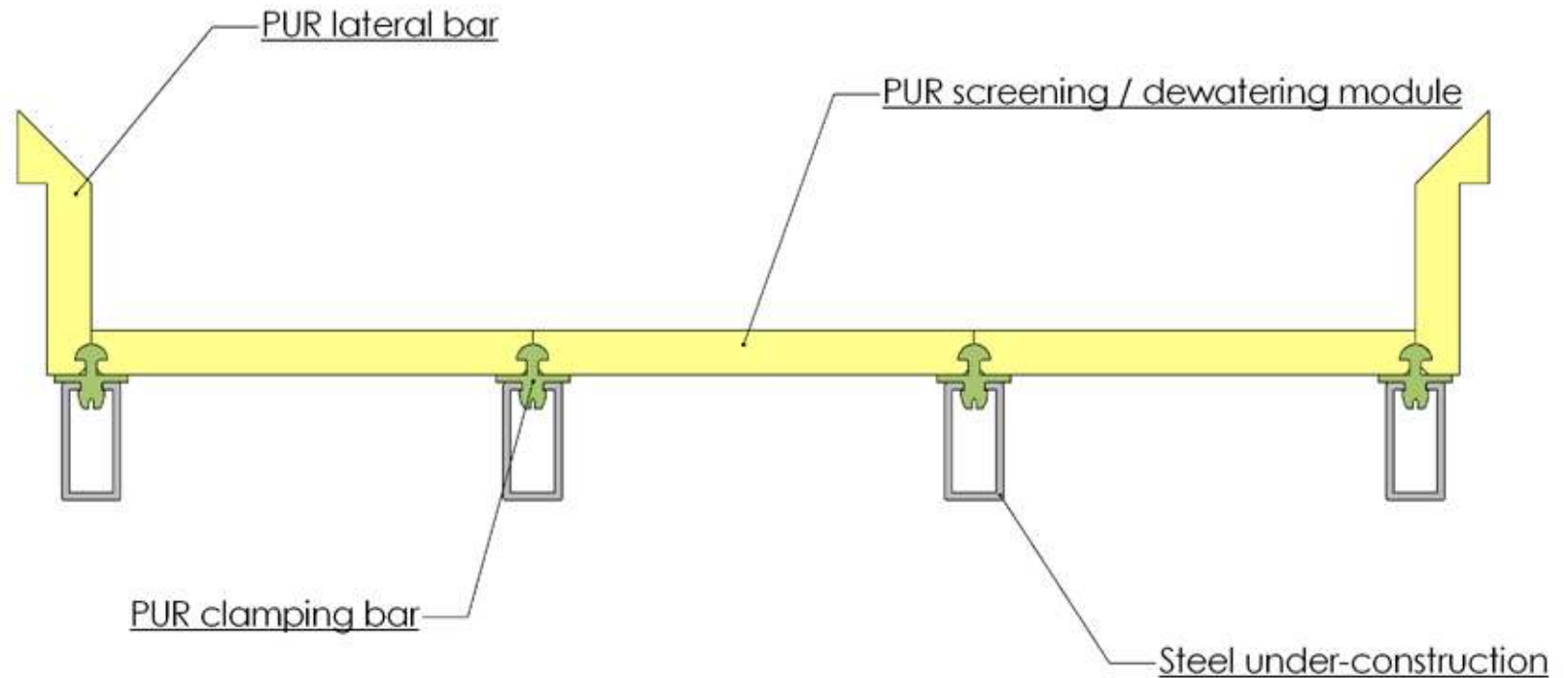
System description

EURO-FG is a screen system based on polyurethane modular panels, clamping bars and a supporting steel under-construction.

The clamping bars get fastened into the steel under-construction and are fastened together with the polyurethane screening or dewatering panels to create the screen deck.

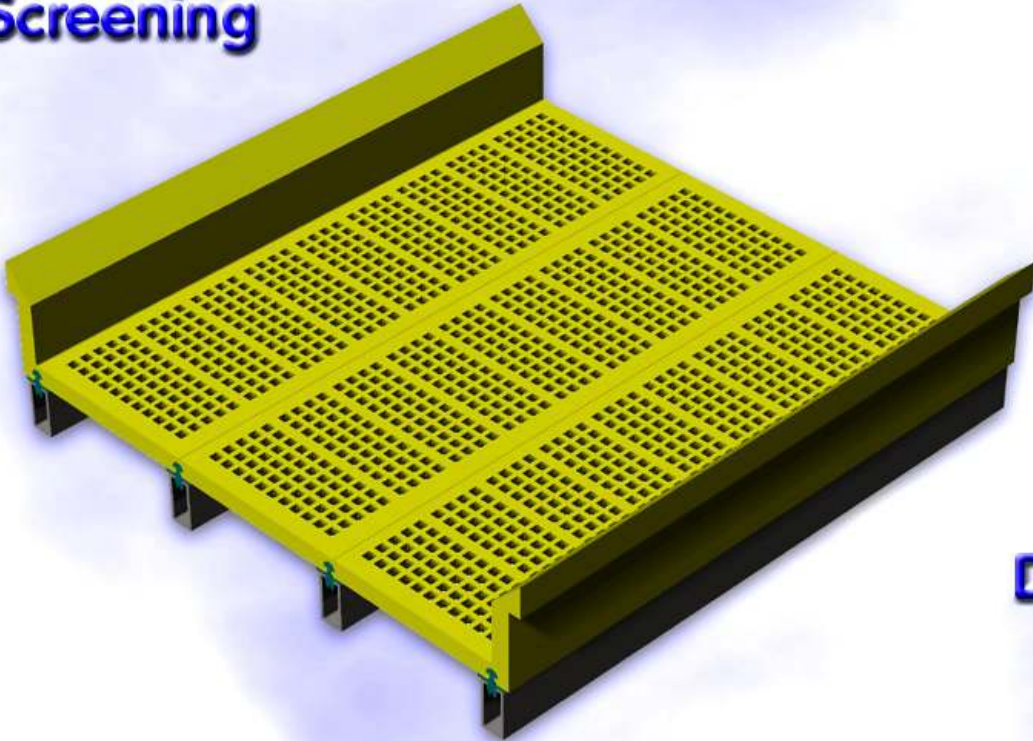
Thanks to the modular concept every standard deck can be fitted with **EURO-FG** screen system.

Besides **EURO-FG** is designed to fit existing screen decks equipped with the typical steel clamping rails making the under-construction

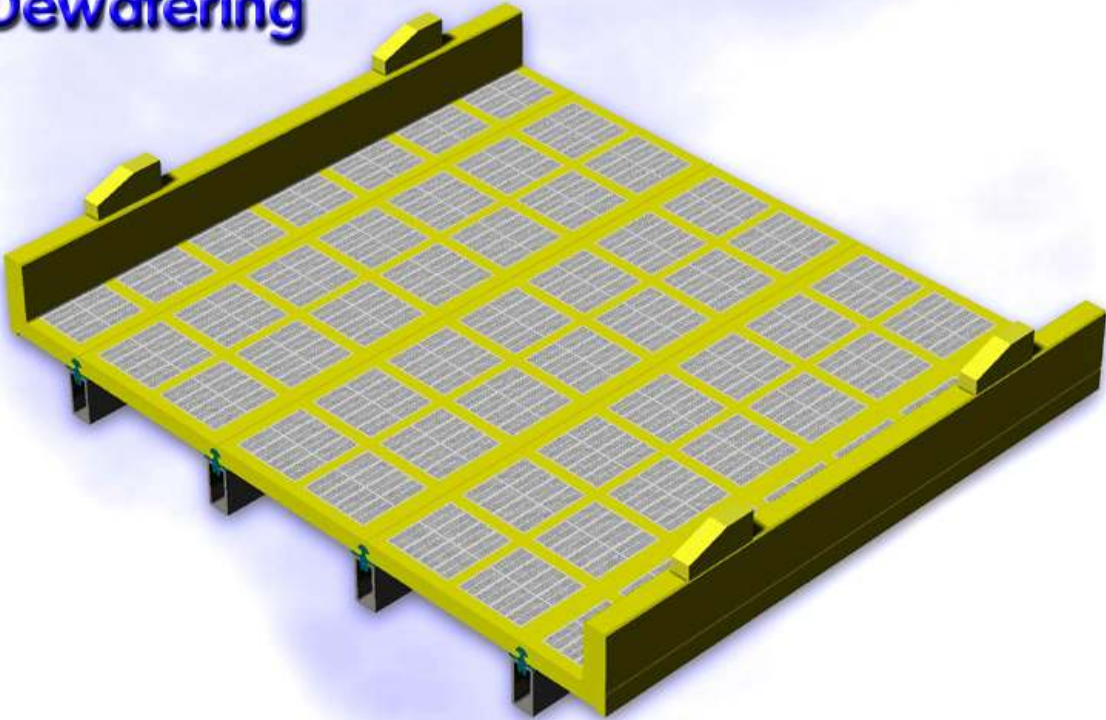


Application

Screening

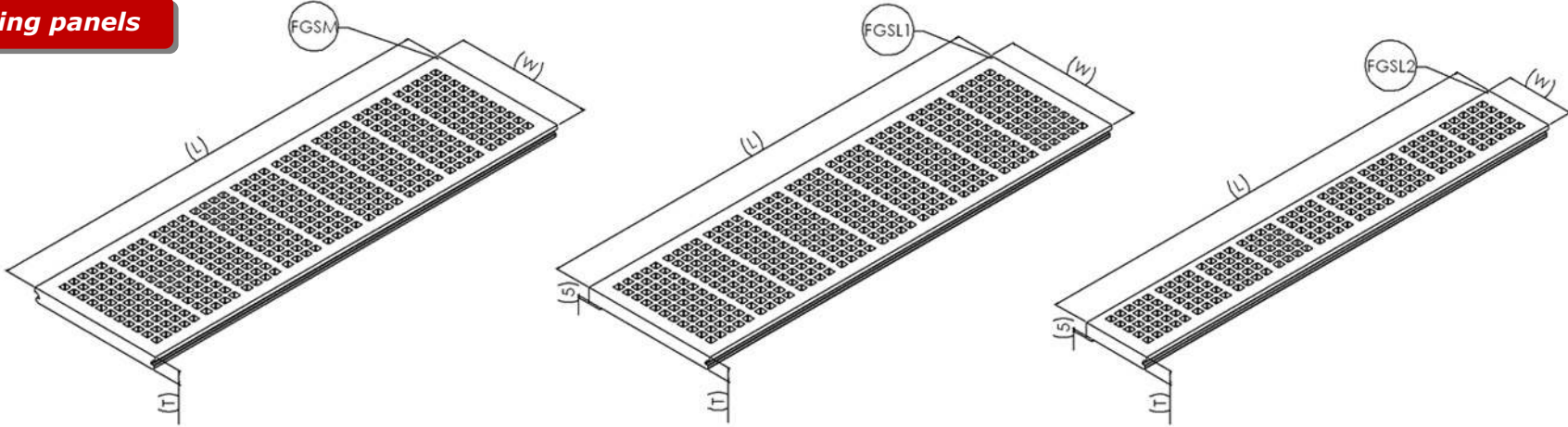


Dewatering

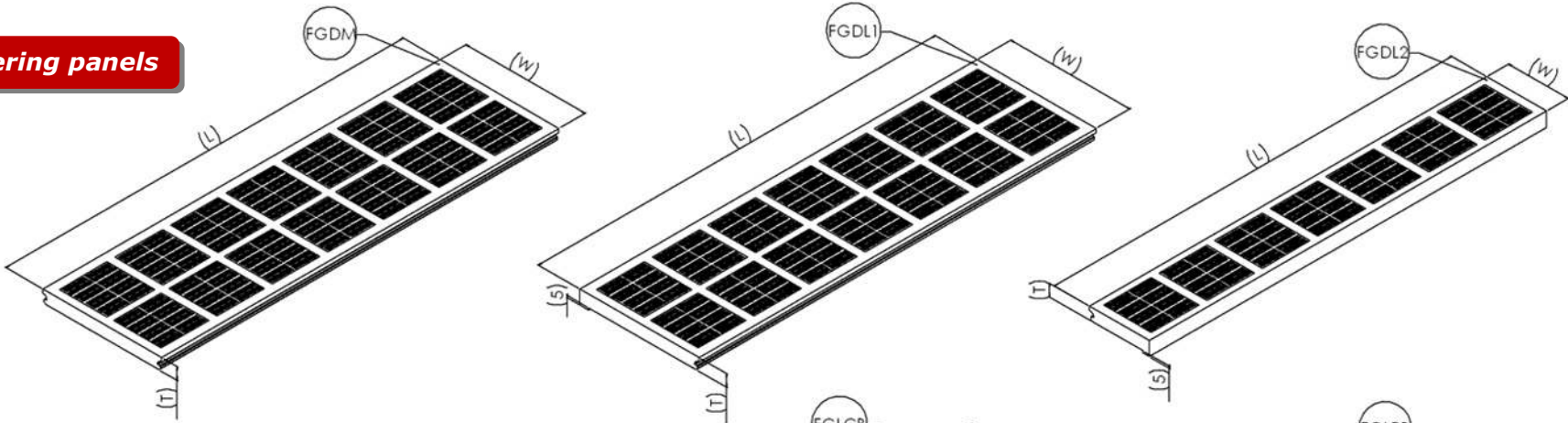


Available items

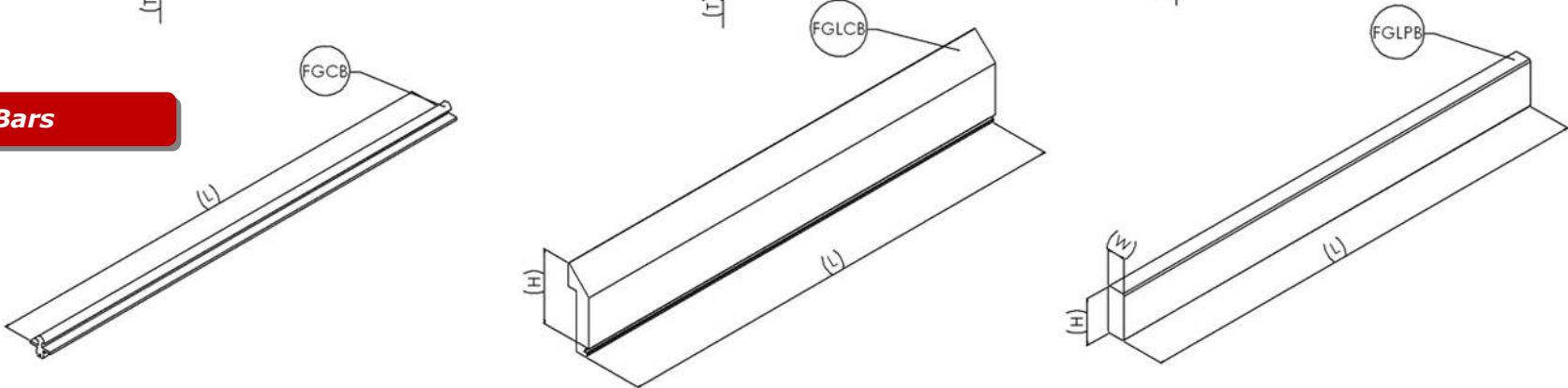
Screening panels



Dewatering panels



Bars



P/N	Description	L		W			T			Openings	H		
FGSM	PUR central screening panel	500	1000	300			30	40	50	4 > 50 mm	-		
FGSL1	PUR lateral screening panel – wide	500	1000	300			30	40	50	4 > 50 mm	-		
FGSL2	PUR lateral screening panel – narrow	500	1000	150	200		30	40	50	4 > 50 mm	-		
FGDM	PUR central dewatering panel	500	1000	300			30	40	50	0,1 > 3,0 x 11mm	-		
FGDM1	PUR lateral dewatering panel – wide	500	1000	300			30	40	50	0,1 > 3,0 x 11mm	-		
FGDM2	PUR lateral dewatering panel – narrow	500	1000	150	200		30	40	50	0,1 > 3,0 x 11mm	-		
FGCB	PUR clamping bar	500	1000	-			-			-	-		
FGLCB	PUR lateral protection bar with clamping	500	1000	-			-			-	100	150	200
FGLPB	PUR lateral protection bar	500	1000	30	40	50	-			-	100	150	200